

4.14mm(.163") Wire To Wire Connector



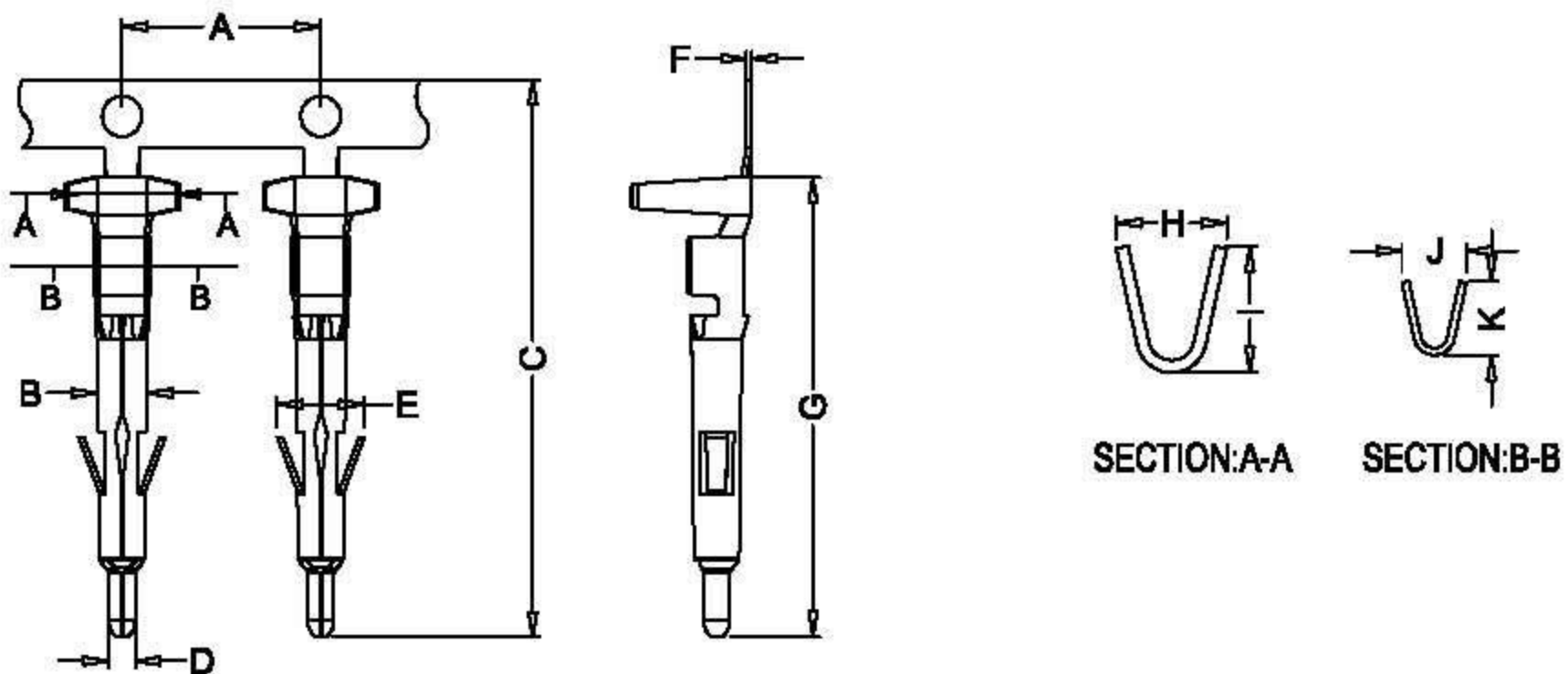
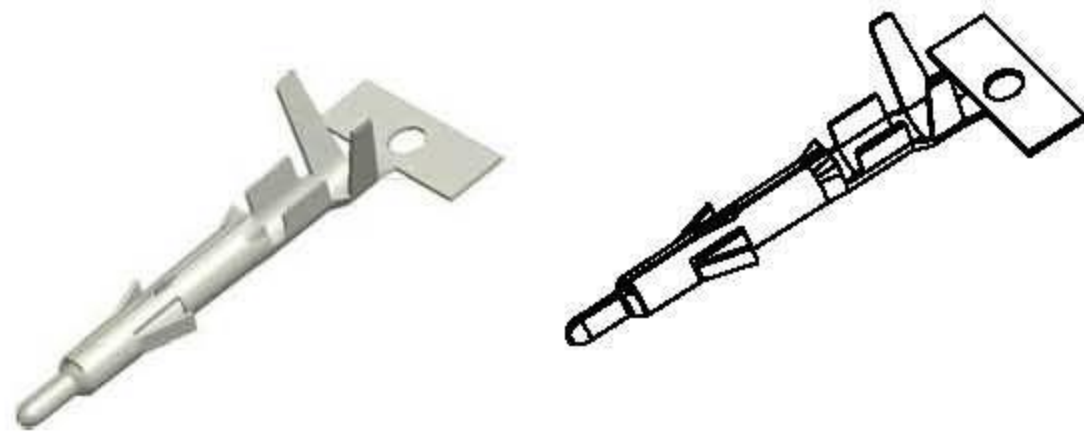
Connector & Terminal

Shenzhen Hongru Connector Co., Ltd

Email: yukyli@hrb-connector.com
 Tel: 86-0755 2709 6669
 Fax: 86-0755 2709 2392
 Skype: haiyuncheng-vivian
 Mobile(whatsapp): 86-186 8112 3590
 Website: http://www.hrb-connector.com

SPECIFICATIONS:

- Current Rating:7AAC,DC
- Voltage Rating:600V AC,DC
- Contact Resistance:20mΩ Max.
- Withstanding Voltage:1500V AC/minute
- Terminal
- Wire Size:AWG#18~#26
- Material:Brass
- Finish: Tin plated: min. 50u"
- Thickness:0.20mm
- Qty/Reel:4000pcs
- Use With:P1020 Series
- Terminal/Housing Retention Force
Requirements:3.5kg(min)
- Crimp tensile strength:AWG #18:9.1kg (Min.)
AWG#20:4.0kg (Min.)
AWG#22:4.0kg (Min.)



Ordering Information And Dimensions

Part NO.	A	B	C	D	E	F	G	H	I	J	K	Wire Size
T1020BS-2	11.00	1.90	20.80	1.00	3.50	0.20	17.20	4.50	4.50	2.10	2.10	AWG#18~22
T1020BS-2A	11.00	1.90	20.80	1.00	3.50	0.20	17.20	2.60	2.95	1.60	1.56	AWG#24~26

PART CODE INFORMATION

XXXXX XX - X
 | | |
 I II III

- I-T1020 Denoting series designation.
- II-BS denoting the body is made of brass
- III-2 or 2A, Denoting different of body construction

