

4.2mm(.165")Wire To Wire And Wire To Board Connector

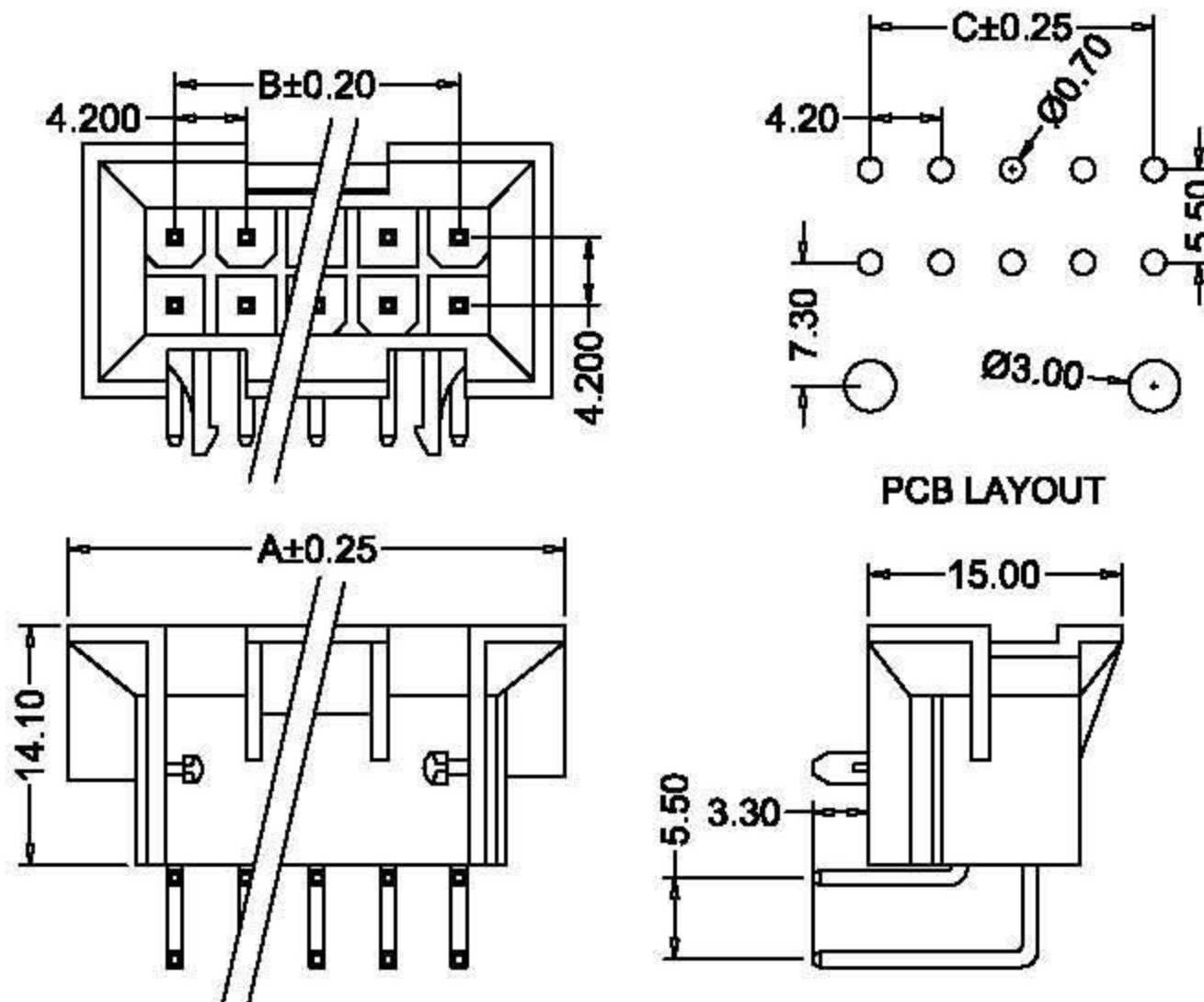
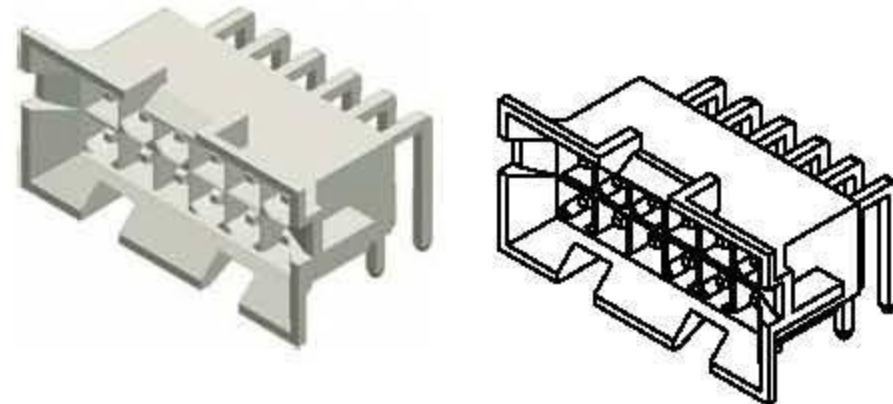


Shenzhen Hongru Connector Co., Ltd

SPECIFICATIONS:

- Current Rating:9AAC,DC
- Voltage Rating:600V AC,DC
- Operating Temperature:-25℃~+105℃
- Contact Resistance:10mΩ max.
- Insulation Resistance:1000MΩ Min.
- Withstanding Voltage:1500V AC/minute
- Material:Housing:Nylon UL94V-0
Pin:Brass,Tin plated

Email:yukyli@hrb-connector.com
Tel: 86-0755 2709 6669
Fax: 86-0755 2709 2392
Skype: haiyuncheng-vivian
Mobile(whatsapp): 86-186 8112 3590
Website: <http://www.hrb-connector.com>



Ordering Information And Dimensions

Part NO.	Dimensions	Part NO.	Dimensions						
TYP UL94V-0	Circuits	Dim:A	Dim:B	Dim:C	TYP UL94V-0	Circuits	Dim:A	Dim:B	Dim:C
M42404R-2x2	4	15.50	4.20	4.20	M42404R-2x8	16	40.70	29.40	29.40
M42404R-2x3	6	19.70	8.40	8.40	M42404R-2x9	18	44.90	33.60	33.60
M42404R-2x4	8	23.90	12.60	12.60	M42404R-2x10	20	49.10	37.80	37.80
M42404R-2x5	10	28.10	16.80	16.80	M42404R-2x11	22	53.30	42.00	42.00
M42404R-2x6	12	32.30	21.00	21.00	M42404R-2x12	24	57.50	46.20	46.20
M42404R-2x7	14	36.50	25.20	25.20					