

4.2mm(.165")Wire To Wire And Wire To Board Connector

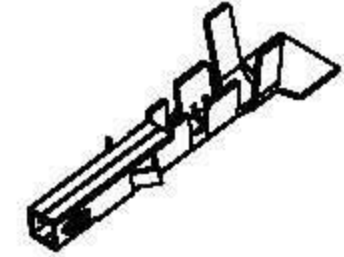
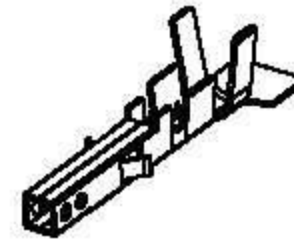


Shenzhen Hongru Connector Co., Ltd

Email: yukyli@hrb-connector.com
 Tel: 86-0755 2709 6669
 Fax: 86-0755 2709 2392
 Skype: haiyuncheng-vivian
 Mobile(whatsapp): 86-186 8112 3590
 Website: http://www.hrb-connector.com

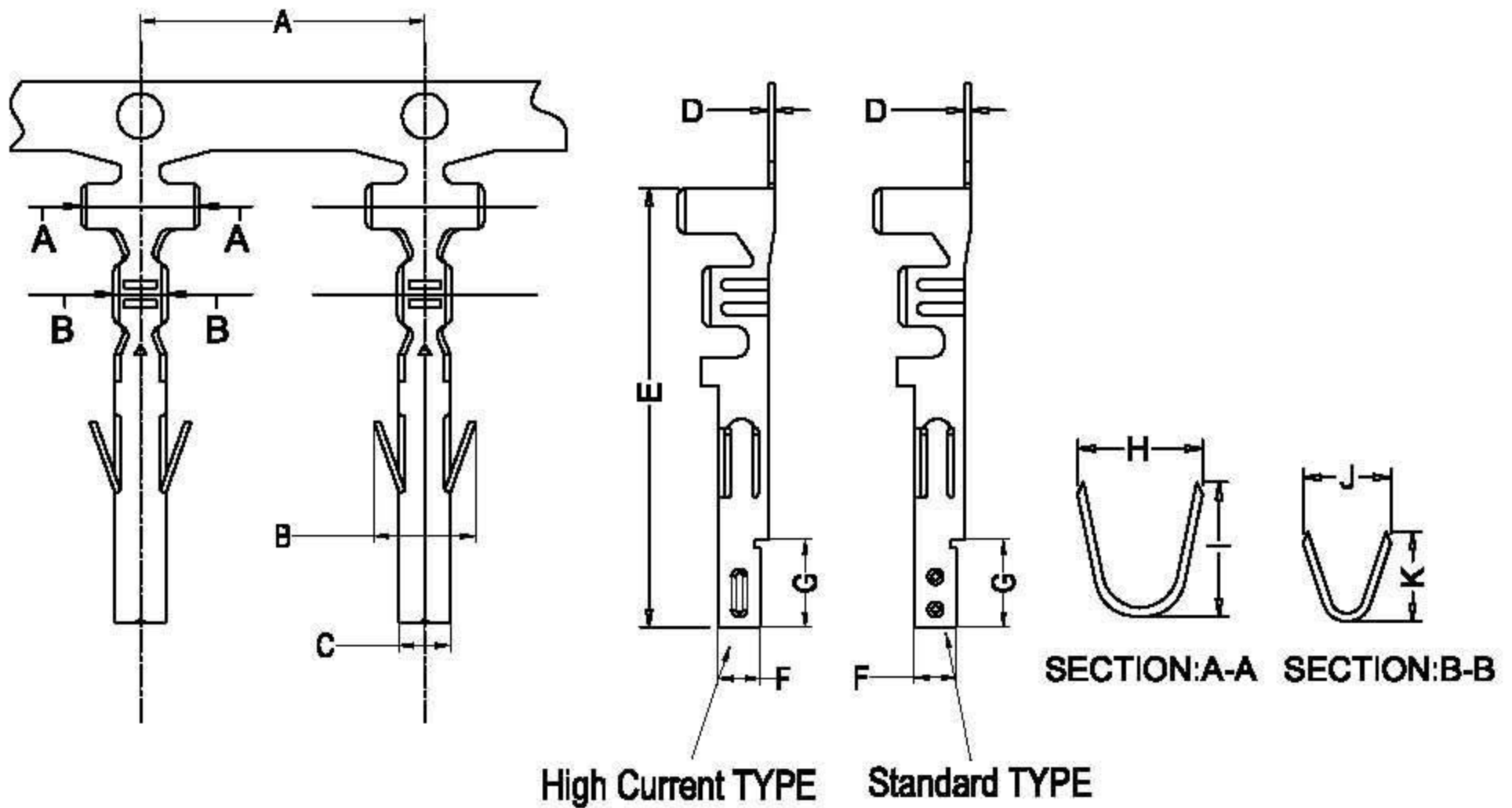
SPECIFICATIONS:

- Current Rating:9A AC,DC
- Voltage Rating:600V AC,DC
- ContactResistance:10mΩ max.
- Withstanding Voltage:1500V AC/minute
- Terminal
- Material:Brass
- Finish:Tin Plated
- Thickness:0.20mm
- Qty/Reel:7000pcs
- Use with:P4200 or P42474 Series
- Terminal In Housing Retention Force Requirement:6.5kg (Min.)



Standard TYPE

High Current TYPE



High Current TYPE

Standard TYPE

Ordering Information And Dimensions

Part NO.	A	B	C	D	E	F	G	H	I	J	K	Wire Size	Type
T4200BS-2	7.50	3.30	1.70	0.20	14.60	1.70	2.70	3.30	3.05	2.15	2.75	AWG#20~18	Standard type
T4200BS-2A	10.50	3.25	1.70	0.20	14.80	1.70	2.95	4.10	4.55	2.20	3.10	AWG#18~16	Standard type
T4200PS-2(H)	7.50	3.30	1.70	0.20	14.60	1.70	2.70	3.10	3.05	2.15	2.75	AWG#22~18	High current type
T4200PS-2A(H)	10.50	3.25	1.70	0.20	14.80	1.70	2.95	4.10	4.55	2.20	3.10	AWG#18~16	High current type
T4200BS-2B	7.50	3.30	1.70	0.20	14.60	1.70	2.70	2.30	2.40	1.65	1.75	AWG#26~22	Standard type

PART CODE INFORMATION

XXXXX XX - X
 | | |
 I II III

- I-T4200 Denoting series designation.
- II-BS denoting brass of body,PS denoting Phosphor bronze of body
- III-2,2B,2A or 2(H)Denoting different of body construction

